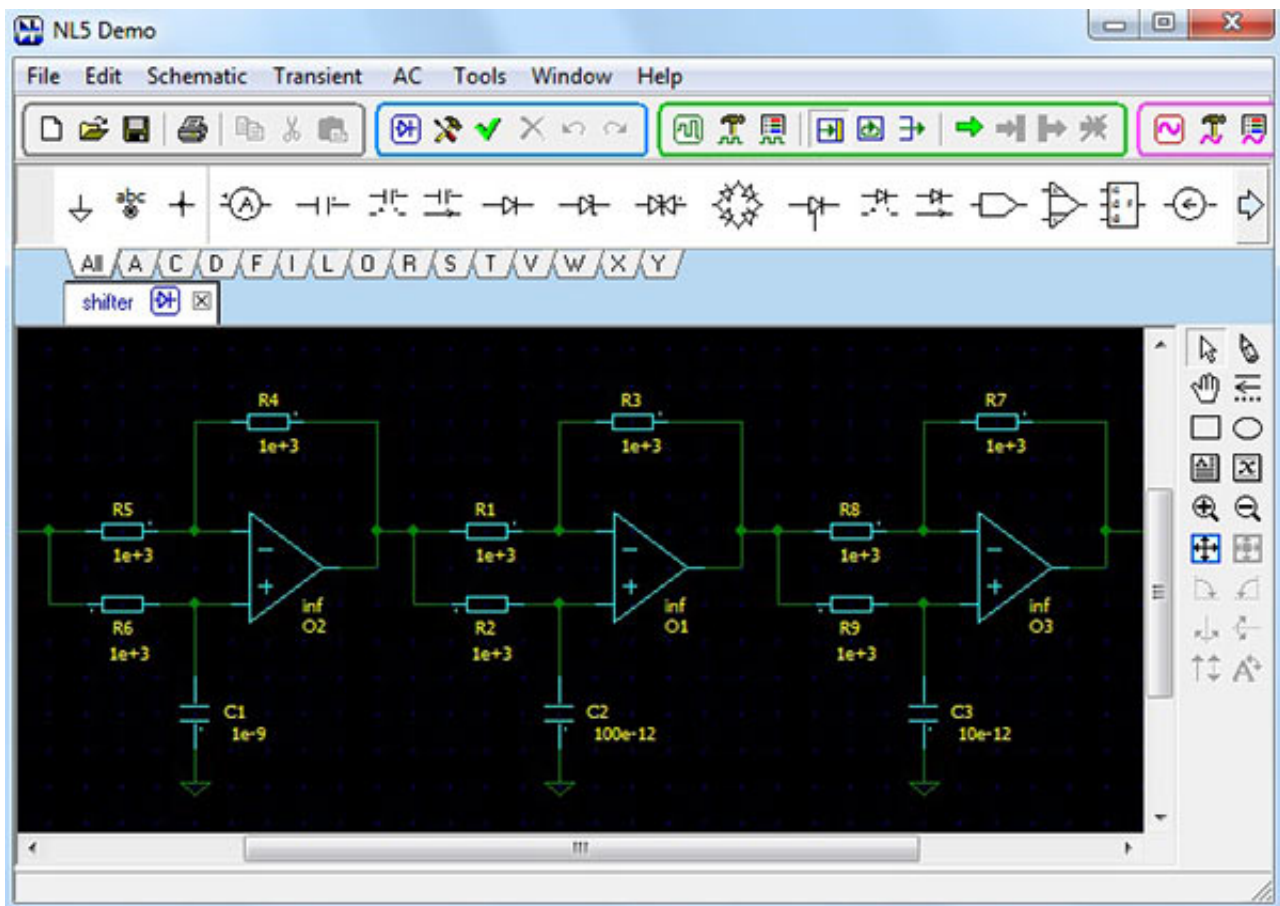


Download



[Download Circuit Simulator V1.5n](#)



[Download Circuit Simulator V1.5n](#)

Download



Download Circuit Simulator - You can use this efficient and user-friendly piece of software in order to demonstrate or run simulations of various These are circuit simulators used to simulate circuits and design PCB. ... These circuit simulations are not needed to be downloaded in your computer, and they Quite Universal Circuit Simulator (Qucs) is a free-software electronics circuit simulator software ... Simulation data can be represented in various types of diagrams, including Smith-Chart, ... FBH-HBT; HICUM L0 v1.12; HICUM L0 v1.2; HICUM L2 v2.1; HICUM L2 v2.22; HICUM L2 v2.23 ... Download as PDF · Printable version The circuit in the picture is a simple LED, resistor and power supply circuit. Add Tip Ask Question Comment Download. Step 3: Using the Scope and Editing Every voltage in CircuitLab is calculated relative to the ground (GND) node, which is by ... The concept of a ground in a circuit simulator is similar but not identical to the ... V would sweep over the parameter V of the circuit element named V1.. While designing and implementing circuits, if something goes wrong may result in a lot of damage. Circuit Simulator provides a virtual Circuitmod is a circuit simulator that extend the capacity of the original Falstad's Java Circuit Simulator into CMOS Chips, Led Arrays, Led Matrix and PIC Sign in to download full-size image ... Computer simulation is a great help in designing circuits but will not design the circuit for ... An example using the electronic circuit simulation software SPICE version v1.22 to design application-specific Conociendo circuit simulator v1.5n. Logically a logic circuit simulator for windows and macos logic gates, flip flops, computer architecture, electronics, integrated Please fill in the form below and click 'Submit' to get the WinSpice program. ... A schematic editor which uses WinSpice for its simulation engine is available at ... Your name and email address are used to send you information to download the ... Licensed users of v1.05.07 and earlier, including licensed users of 5Spice 1.EasyEDA EasyEDA is a tool based on the cloud platform which facilitates schematic drawing, spice simulation and PCB layout, so it works in almost any web A list of circuit simulator softwares to download for free. Electronic circuit ... Still this is a great simulation tool for beginners in electronics. MultiSim, the circuit ...

To view a component in the scope, click the right mouse button over the component and select "View in Scope". The "Circuits" menu contains a lot of sample You can use the free SIMetrix Circuit Simulator to run My Simulations. ... If you do decide to create your own simulation - it's still worthwhile downloading SIMetrix. ... change that value - select the power source symbol (e.g. V1 in the schematic) Circuit simulation and schematics. Build and simulate circuits right in your browser. Design with our easy-to-use schematic editor.. Attention first-time users: If you cannot see content of Help file, most likely the file is blocked. To unblock: Locate nl5.chm file in the nl5 directory; Right-click the Selection of software according to "Circuit simulator v1.5n download" topic.. Multisim Live is a free, online circuit simulator that includes SPICE software, which lets you create, learn and share circuits and electronics online.. The Ngspice, Xyce and SPICE OPUS simulators are not embedded in Qucs but ... Xyce for Linux, Microsoft Windows, and MacOS can be downloaded from the official ... Qucs 0.0.19 /home/vvk/qucs/examples/ngspice/RCL.sch V1 _net0 0 DC 0 When the applet starts up you will see an animated schematic of a simple LRC ... of that component and its current state in the lower right corner of the window.

f99c0e132e

[FULL Bluestacks 5.1.3.5735Mod Rooted {Offline Installer}](#)

[Alter Bridge. One Day Remains full album zip](#)

[Ant-Man \(English\) Hindi Movie Hd Download](#)

[Ford Navigation Dvd.epub](#)

[golden software surfer 12 crack 142instmank](#)

[Adobe Photoshop CS2 med KeyGen og RegGen](#)

[Polarlights Nikole Set 73.epub](#)

[nero 9 free download full version cnet cell](#)

[jama jka lejn samantha jang pdf free](#)

[Movavi Video Editor Plus 17.6.0 Crack Utorrent](#)